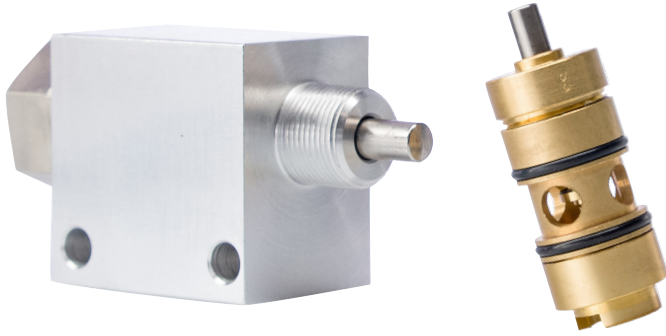


Clippard

M-GV SERIES HIGH FLOW POPPET VALVES Stem & Cartridge Styles



Clippard is known as the pioneer of miniature pneumatic products. The M-MAV series poppet valves were introduced in 1958 and were known for their bubble tight design with large flow for their small #10-32 threaded ports.

Clippard's M-GV series valves offer the same characteristics of its original line with flow 10 times more than the M-MAV series and 2.5 times the flow of the M-MJV series. These 2/2 and 3/2 valves are offered in G1/4 ports along with a cartridge mounted version. With Clippard's versatile M12 x 0.75 nose thread, a large variety of buttons and valve actuators can be used with the M-GV stem-operated valves.

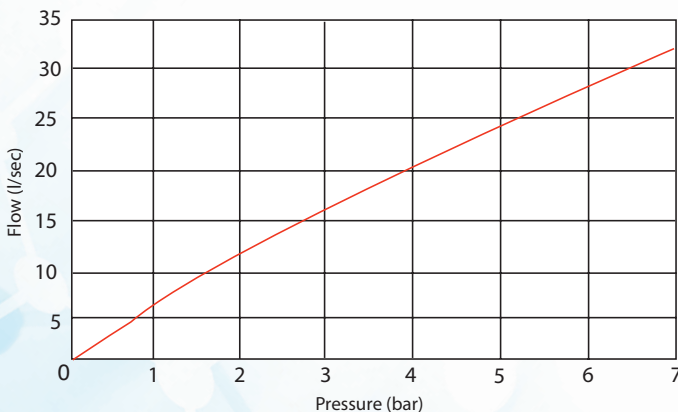
- Will accept a variety of manual, air pilot, electrical or mechanical actuators
- Small, compact size, lightweight
- Design flexibility and fast response
- Electroless nickel plated brass and anodized aluminum construction for long life and corrosion resistance
- Stainless steel stems and springs for corrosion resistance

Medium	2/2: Air, Water or Oil; 3/2: Air
Valve Function	2/2 or 3/2 Normally-Closed
Flow	18 l/sec @ 3.4 bar; 31 l/sec @ 7 bar
Operating Pressure	10.3 bar max.
Material, Seals	Nitrile, FKM optional
Material, Stem	Stainless Steel
Material, Wetted	ENP Brass and Anodized Aluminum
Porting	G1/4
Operating Temperature	0 to 110°C (32° to 230°F)
Force for Full Stem Travel	2 lbs. nominal, 9 lbs. @ 7 bar
Stem Travel	3.175
Mounting (Cartridge)	Inserts into a 17.45 bore
More Details	clippard.com/link/gv-tds

ORDERING INFORMATION

Part No.	Function	Porting
M-GV-2C	2/2	Cartridge
M-GV-2	2/2	G1/4 Female
M-GV-3C	3/2	Cartridge
M-GV-3	3/2	G1/4 Female

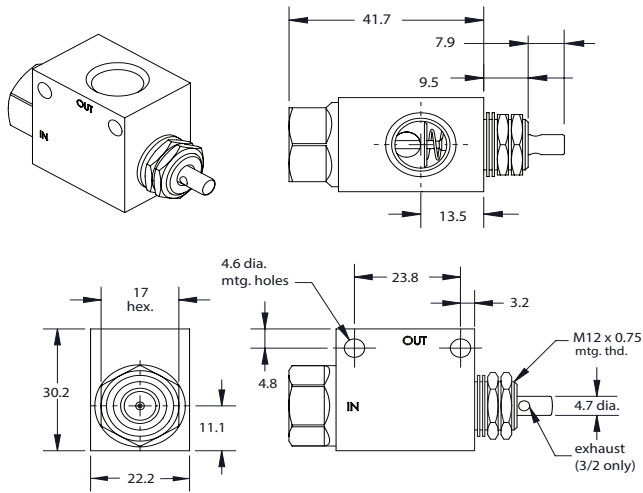
Pressure vs. Flow



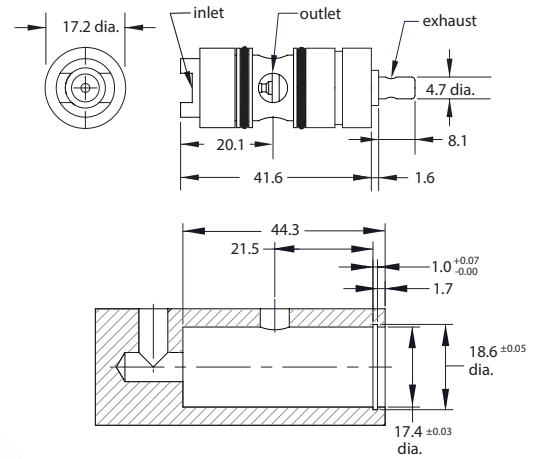
Clippard

Stem & Cartridge Styles

M-GV-2 & M-GV-3



M-GV-2C & M-GV-3C



Single-Acting, Spring Return Air Pilot Actuators

Clippard's M-MPA Series are ideal actuators for the M-GV valves offering numerous threads, bore sizes and force factors.

- Input Pressure: 17.2 bar
- Constructed of brass, stainless steel, nitrile rubber and Acetal

ORDERING INFORMATION

Part No.	Thread	Bore Size	Min. Pilot Pressure*
M-MPA-3	M5 x 0.8	9.5	7 bar
M-MPA-3P	G1/8	9.5	7 bar
M-MPA-5	M5 x 0.8	15.9	2.8 bar
M-MPA-5P	G1/8	15.9	2.8 bar
M-MPA-7	G1/8	22.2	1.7 bar
M-MPA-10P	M5 x 0.8	31.7	1 bar

* with 7 bar to valve inlet

Professionally Distributed by:

+32 10 45 21 34 | clippard.eu

CLIPPARD INSTRUMENT LABORATORY, INC. • ISO 9001 • TDS 7.2.13 Rev. 2
For warranty and disclaimer information, visit clippard.com/warranty

